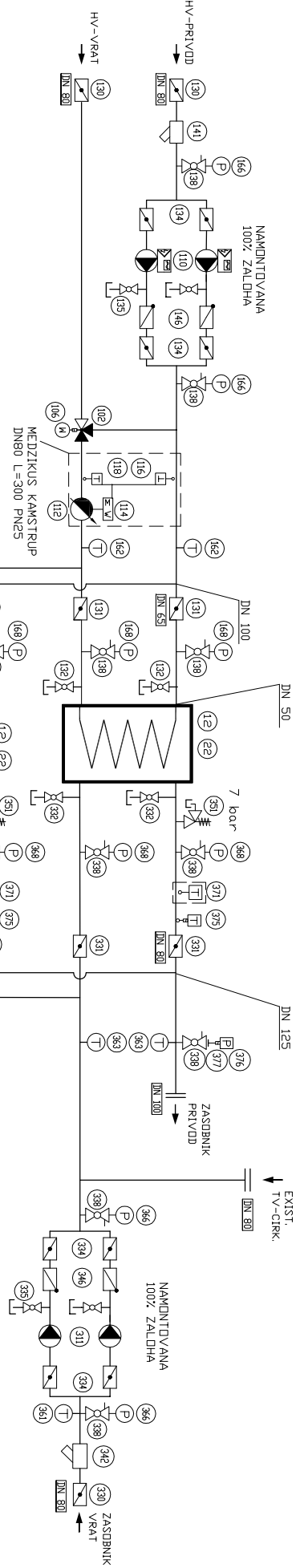


VS 102 - SS 02

2 x 544 kW



- | | | | | | | | |
|--|----------------------------|--|---------------------------------------|--|---------------------------------------|--|---------------------------|
| | VYMEKNIK TEPLA DOSKOVY | | SPATNA KLAPKA | | ELEKTROMAGNETICKY VENTIL - DVOJCESTNY | | INDIKATOR PRETEKU |
| | VYMEKNIK TEPLA SPIRALOVY | | FILTER - MECHANICKY | | ELEKTROMAGNETICKY VENTIL S EL. PONDOM | | CIJNA |
| | RYADIACI SYSTEM | | ELEKTROMAGNETICKA UPRAVA VODY | | UZATVARACIA KLAPKA S EL. PONDOM | | UKAZOVACI |
| | EXPANZIONAT - MEMBRANOVY | | NERAC TEPLA | | REGULATOR DIFERENCNEHO TLAKU | | TEPLDMER - UKAZOVACI |
| | NADBYZ TUUV | | UZATVARACI VENTIL | | REGULATOR TLAKU | | TEPLDMER - PLYTY |
| | TANENGIACIANY DVOUZIŠNOVAC | | UZATVARACIA KLAPKA - RUONA | | INJEKTOR | | HAVARIJNY TERMOSTAT |
| | | | UZATVARACI VENTIL - RUONV | | OVADZAC KONDENZATU | | SNMAG TLAKU |
| | | | UZATVARACIA KLAPKA - RUONA | | KOMPENZATOR | | HAVARIJNY REGULATOR TLAKU |
| | | | REG. VENTIL S EL. PONDOM - DVOJCESTNY | | DVOJCESTNY VENTIL - DVOJCESTNY | | |
| | | | REG. VENTIL S EL. PONDOM - TROJCESTNY | | UZATVARACIA KLAPKA S EL. PONDOM | | |
| | | | REG. VENTIL S EL. PONDOM - TROJCESTNY | | REGULATOR DIFERENCNEHO TLAKU | | |
| | | | REG. VENTIL S EL. PONDOM - TROJCESTNY | | REGULATOR TLAKU | | |
| | | | REG. VENTIL S EL. PONDOM - TROJCESTNY | | INJEKTOR | | |
| | | | REG. VENTIL S EL. PONDOM - TROJCESTNY | | OVADZAC KONDENZATU | | |
| | | | REG. VENTIL S EL. PONDOM - TROJCESTNY | | KOMPENZATOR | | |
| | | | REG. VENTIL S EL. PONDOM - TROJCESTNY | | DVOJCESTNY VENTIL - DVOJCESTNY | | |
| | | | REG. VENTIL S EL. PONDOM - TROJCESTNY | | UZATVARACIA KLAPKA S EL. PONDOM | | |
| | | | REG. VENTIL S EL. PONDOM - TROJCESTNY | | REGULATOR DIFERENCNEHO TLAKU | | |
| | | | REG. VENTIL S EL. PONDOM - TROJCESTNY | | REGULATOR TLAKU | | |
| | | | REG. VENTIL S EL. PONDOM - TROJCESTNY | | INJEKTOR | | |
| | | | REG. VENTIL S EL. PONDOM - TROJCESTNY | | OVADZAC KONDENZATU | | |
| | | | REG. VENTIL S EL. PONDOM - TROJCESTNY | | KOMPENZATOR | | |

TAKTO OZNACENE KOMPONENTY NIE SU PREDMETOM DODAVKY FY DECEN

TAKTO OZNACENE POTRUBIE NIE JE PREDMETOM DODAVKY FY DECEN

VYHRADZUJEME SI PRAVO NA TECHNICKE ZMENY, KTORE NEMAJU VPLYV NA FUNKCIONSTI TECHNOLOGIE

DL W1088

INDEX	DATE	PODPIŠ	POZNA
1	29.10.2019	Longauer	DST Solinky, Žilina
2			STAB V. P18-0057-01

DL W1088

V-B826 - 10438

DL W1088

DL W1088